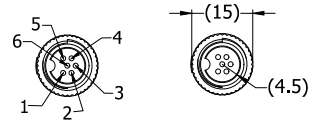
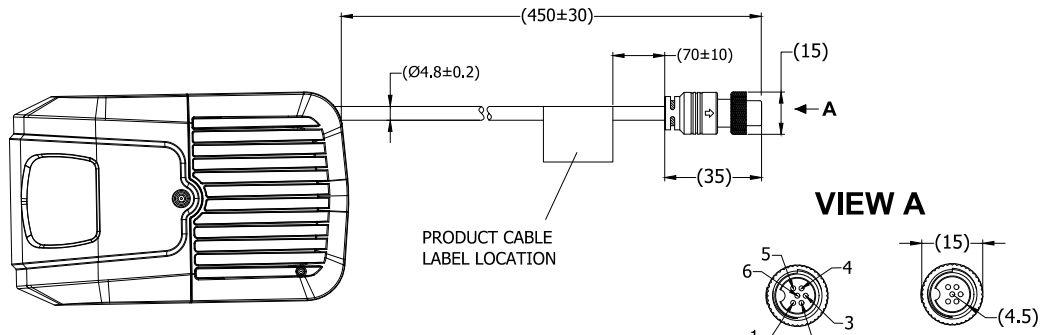
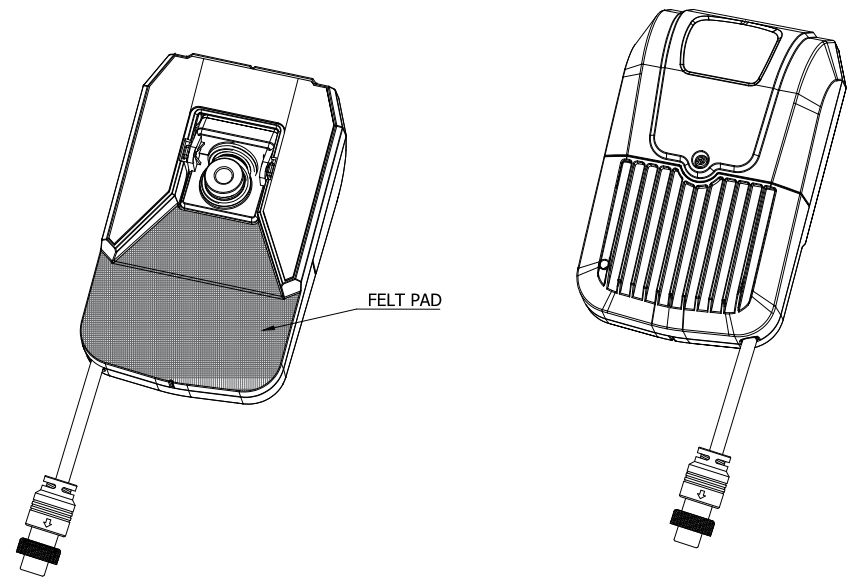
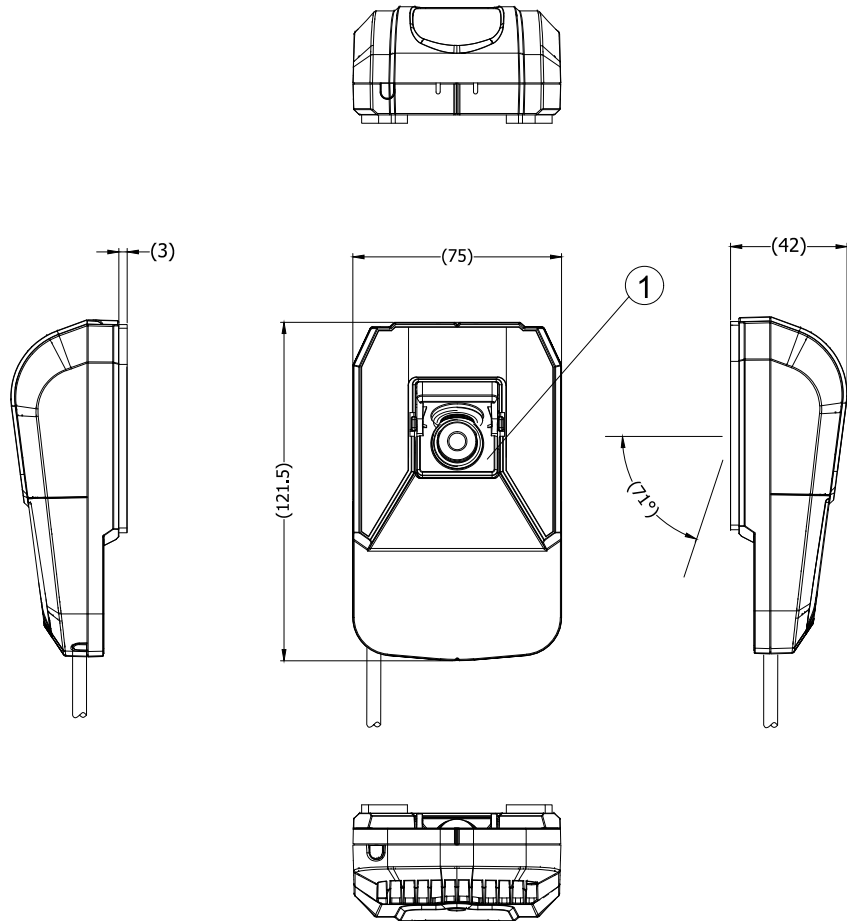


ITEM	PART NUMBER	MODEL NO	QTY	DESCRIPTION
①	5969	IP-1000C-C	1	IP CAMERA ONLY - FORWARD FACING, AUDIO (1080P)
②	5967	IP-1000C-FIX	1	FIXING KIT (1 X T8 SECURITY TORX TOOL - L SHAPE) (NOT SHOWN)
③	5905	IP-1000C-IG	1	INSTALLATION GUIDE (NOT SHOWN)



**6 PIN FEMALE MATING FACE**

PIN #	WIRE COLOUR	DESCRIPTION
1	ORANGE	TX-
2	WHITE	TX+
3	RED	+12V
4	GREEN	RX-
5	YELLOW	RX+
6	BLACK	GND
N/A	DRAIN WIRE & FOIL	SHIELD

- NOTES:**
1. FINISH IS BLACK
  2. REFER TO PRODUCT SPECIFICATION FOR PRODUCT SPECIFICATIONS.
  3. FOR LABELING AND AND PACKAGING DETAILS REFER TO MASTER BOM.
  4. FIRMWARE VERSION Nx\_927C20\_V003\_T180820.01\_M0000 TO BE PRE-LOADED TO MAIN BOARD.
  5. REFER TO INSTALLATION GUIDE "IP-1000C-IG" FOR CORRECT SETUP, CONFIGURATION AND INSTALLATION.

**PROPRIETARY NOTICE**  
 THIS DESIGN AND TECHNICAL INFORMATION APPEARING ON THIS DRAWING IS THE PROPERTY OF BRIGADE ELECTRONICS, AND IS DISCLOSED IN CONFIDENCE. IT IS NOT TO BE COPIED, REPRODUCED, REVEALED TO OR EXPROPRIATED BY OTHERS, EITHER IN WHOLE OR IN PART WITHOUT THE EXPRESS WRITTEN CONSENT OF BRIGADE ELECTRONICS.



Assembly Pl Approval CAROL LI	Approved by L. PILLAY	Checked by J. TYRRELL	Drawn by A. KEBEDE
Angle of Projection 	Units mm	Scale N/A	Released 19/12/19
Status RELEASED	Part No 5935	Assembly Ref IP-1000C	
Third Angle		BE-004147-00-19	